

REMOVAL

HINT:

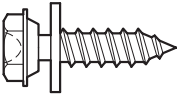
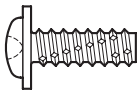
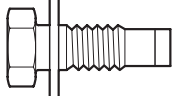
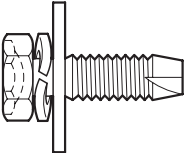
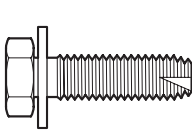
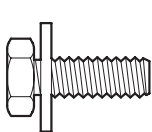
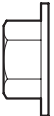
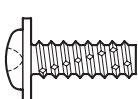
Use the same procedure for both the RH and LH sides.

1. BOLTS, SCREWS AND NUTS TABLE

HINT:

All bolts, screws and nuts relevant to installing and removing the instrument panel are shown, along with their alphabetic codes, in the table below.

mm (in.) (L = Length)

Code	Shape	Code	Shape	Code	Shape
<A>	 <p>$\varphi = 5$ (0.20) L = 14 (0.55)</p> <p>90159-50287</p>		 <p>$\varphi = 5$ (0.20) L = 14 (0.55)</p> <p>93568-55014</p>	<C>	 <p>$\varphi = 6$ (0.24) L = 14 (0.55)</p> <p>90119-08B72</p>
<D>	 <p>$\varphi = 6$ (0.24) L = 20 (0.79)</p> <p>90119-06341</p>	<E>	 <p>$\varphi = 6$ (0.24) L = 20 (0.79)</p> <p>90119-06906</p>	<F>	 <p>$\varphi = 6$ (0.24) L = 20 (0.79)</p> <p>91635-G0618</p>
<G>	 <p>$\varphi = 6$ (0.24)</p> <p>94150-80600</p>	<H>	 <p>$\varphi = 5$ (0.20) L = 18 (0.71)</p> <p>93568-55018</p>		

P

B133850E01

2. DISCONNECT CABLE FROM NEGATIVE BATTERY TERMINAL

Wait for at least 90 seconds after disconnecting the cable to prevent the airbag from working.

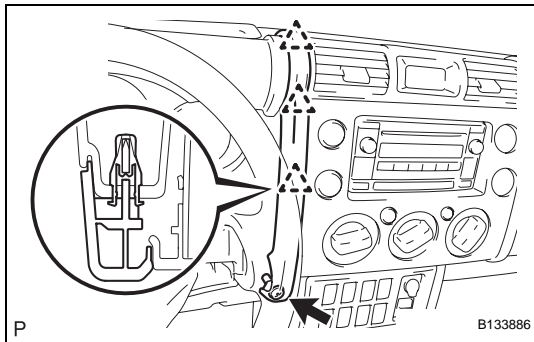
3. REMOVE FRONT DOOR SCUFF PLATE RH (See page IR-15)

4. REMOVE FRONT DOOR SCUFF PLATE LH (See page IR-15)

5. REMOVE FRONT FLOOR FOOTREST (See page IR-2)

6. REMOVE FOOTREST CLIP (See page IR-2)

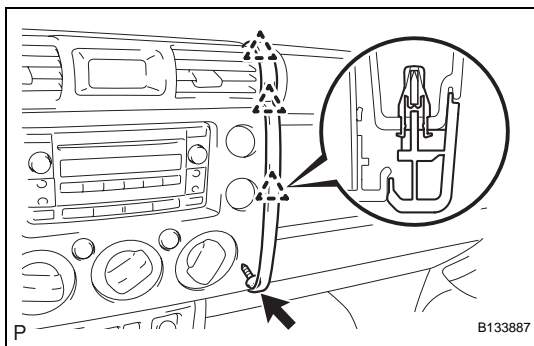
7. REMOVE COWL SIDE TRIM BOARD RH (See page [IR-15](#))
8. REMOVE COWL SIDE TRIM BOARD LH (See page [IR-15](#))
9. SEPARATE FRONT DOOR OPENING TRIM WEATHERSTRIP LH
 - (a) Separate the front door opening trim weatherstrip LH.
10. SEPARATE FRONT DOOR OPENING TRIM WEATHERSTRIP RH
 - (a) Separate the front door opening trim weatherstrip RH.
11. REMOVE ASSIST GRIP PLUG (See page [IR-17](#))
12. REMOVE ASSIST GRIP ASSEMBLY (See page [IR-17](#))
13. REMOVE FRONT PILLAR GARNISH RH (See page [IR-18](#))
14. REMOVE FRONT PILLAR GARNISH LH (See page [IR-18](#))



15. REMOVE INSTRUMENT PANEL GARNISH LH
 - (a) Remove screw <H>.
 - (b) Disengage the 3 clips and remove the instrument panel garnish.

NOTICE:

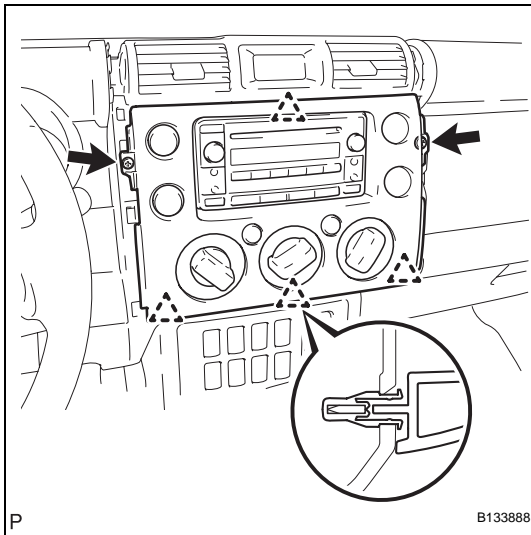
 - Pull the instrument panel garnish up at an angle of 45° to remove it.
 - Do not damage the surface of the instrument panel when removing it.



16. REMOVE INSTRUMENT PANEL GARNISH RH
 - (a) Remove screw <H>.
 - (b) Disengage the 3 clips and remove the instrument panel garnish.

NOTICE:

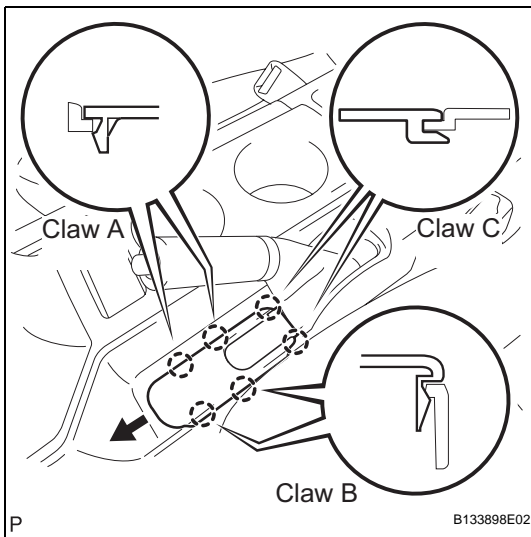
 - Pull the instrument panel garnish up at an angle of 45° to remove it.
 - Do not damage the surface of the instrument panel when removing it.



17. REMOVE INTEGRATION CONTROL AND PANEL ASSEMBLY

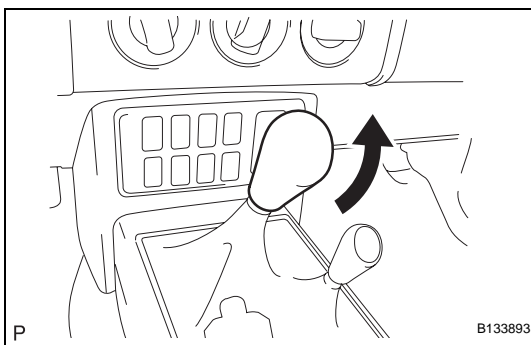
- Remove the 2 <H> screws.
- Disengage the 4 clips and remove the integration control panel assembly.
- Disconnect the 3 connectors.

18. REMOVE RADIO RECEIVER ASSEMBLY (See page [AV-55](#))



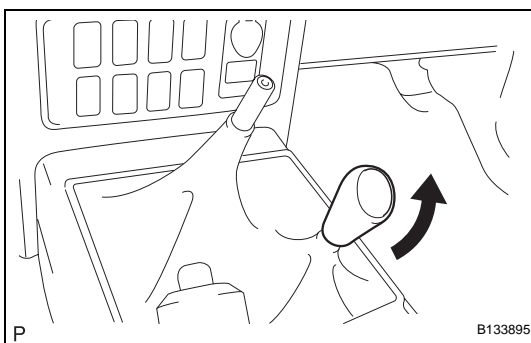
19. REMOVE PARKING BRAKE HOLE COVER SUB-ASSEMBLY

- Disengage the 2 A claws and 2 B claws.
- Slide the parking brake hole cover toward the front of the vehicle, disengage the 2 C claws and remove the parking brake hole cover.



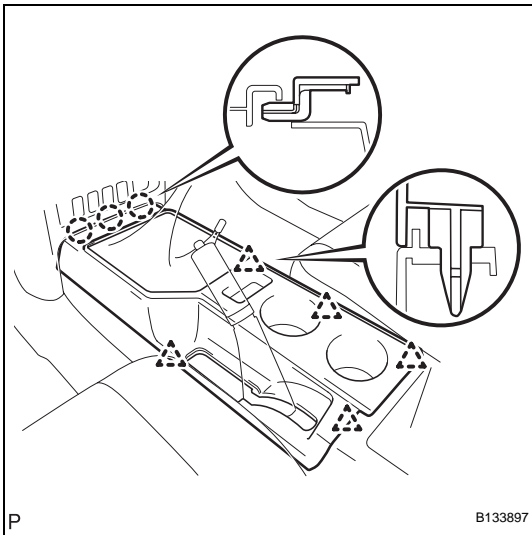
20. REMOVE SHIFT LEVER KNOB SUB-ASSEMBLY (for Manual Transmission)

- Remove the shift lever knob.



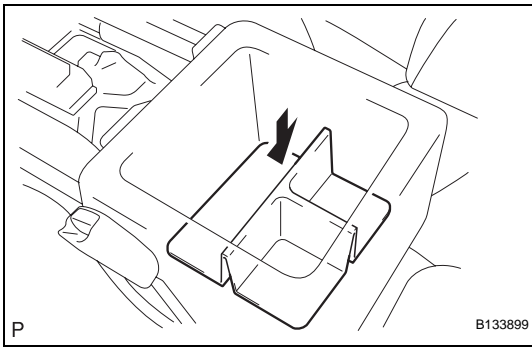
21. REMOVE SHIFT LEVER KNOB SUB-ASSEMBLY (for 4WD)

- Remove the shift lever knob.



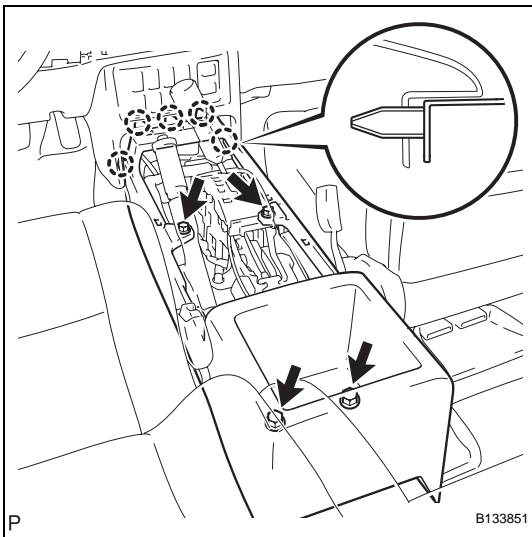
22. REMOVE CONSOLE UPPER REAR PANEL SUB-ASSEMBLY

- (a) Shift the shift lever into the N position.
- (b) Disengage the 5 clips and 3 claws and remove the console upper rear panel.



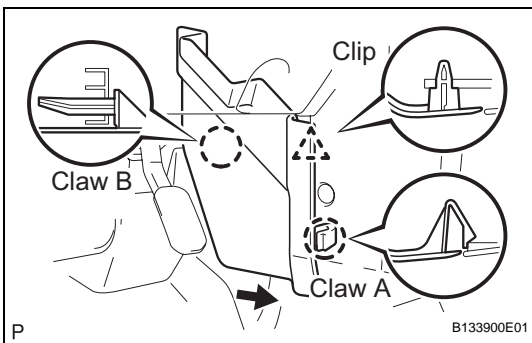
23. REMOVE BOX BOTTOM MAT

- (a) Remove the box bottom mat.



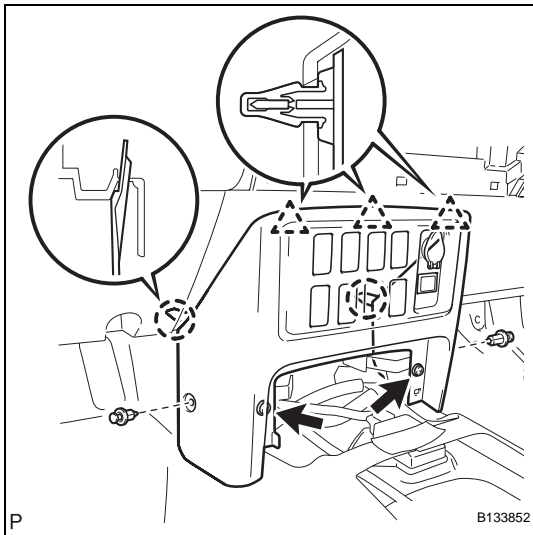
24. REMOVE FRONT CONSOLE BOX

- (a) Remove the 4 <D> bolts.
- (b) Disengage the 5 claws and remove the console box.



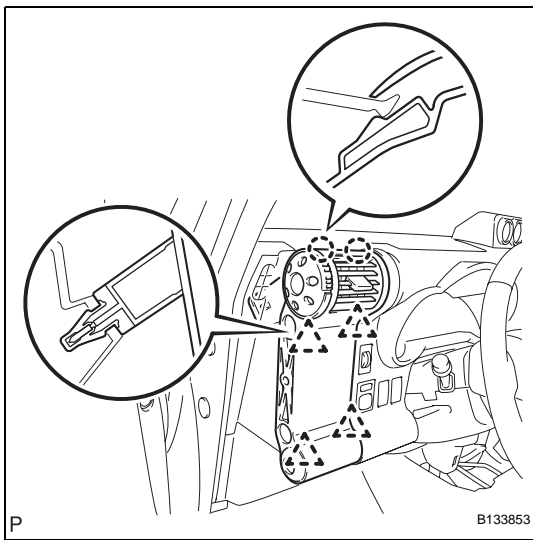
25. REMOVE CONSOLE UPPER PANEL NO. 1 GARNISH

- (a) Disengage claw A and the clip.
- (b) Slide the console upper panel garnish toward the rear of the vehicle, disengage the claw B and remove the console upper panel garnish.



26. REMOVE INSTRUMENT LOWER COVER SUB-ASSEMBLY

- (a) Remove the 2 clips and 2 <F> bolts.
- (b) Disengage the 3 clips and 2 claws and remove the instrument lower cover.

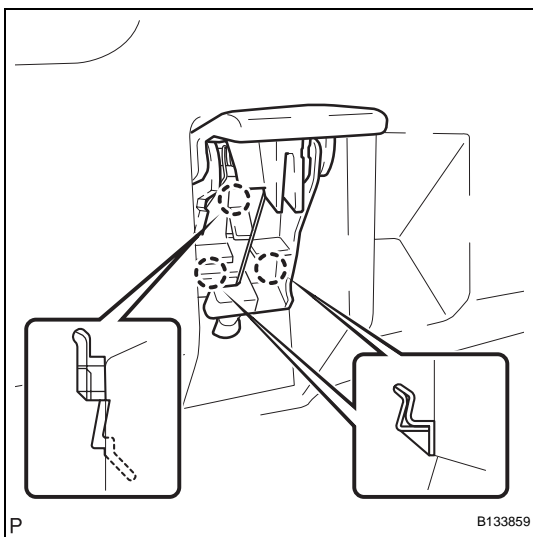


27. REMOVE NO. 1 INSTRUMENT PANEL REGISTER ASSEMBLY

- (a) Disengage the 4 clips and 2 claws and remove the instrument panel register.

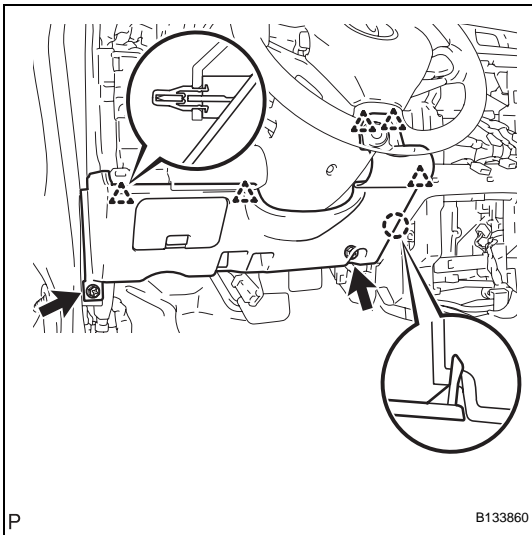
NOTICE:

- To avoid breakage of the register, remove the instrument panel register with the shut damper of the register open.
- Pull the instrument panel register up diagonally to remove it.



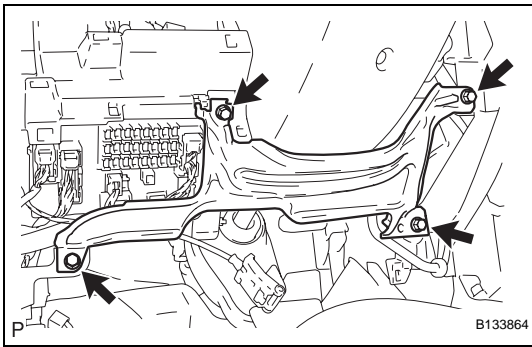
28. SEPARATE HOOD LOCK CONTROL LEVER SUB-ASSEMBLY

- (a) Disengage the 3 claws and separate the hood lock control lever.



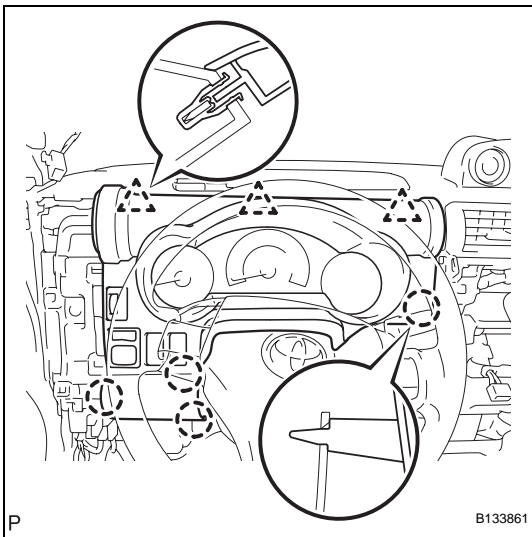
29. REMOVE LOWER INSTRUMENT PANEL FINISH PANEL SUB-ASSEMBLY LH

- (a) Remove the 2 <F> bolts.
- (b) Disengage the 5 clips and claw and remove the lower instrument panel finish panel.



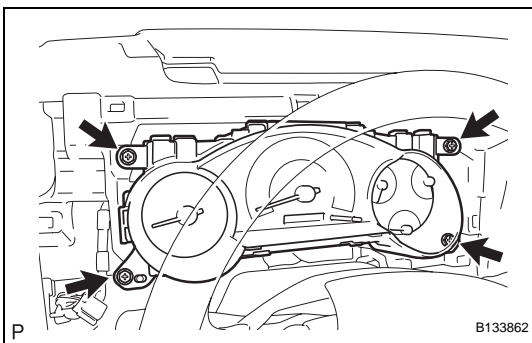
30. REMOVE LOWER INSTRUMENT PANEL LH

- (a) Remove the 4 <F> bolts and remove the lower instrument panel.



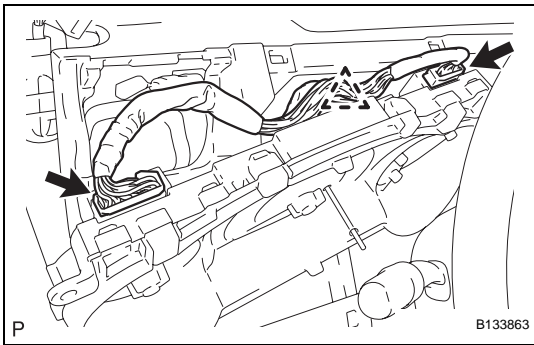
31. REMOVE INSTRUMENT CLUSTER FINISH PANEL

- (a) Disengage the 3 clips and the 4 claws and remove the instrument cluster finish panel.
- (b) Disconnect the connectors.

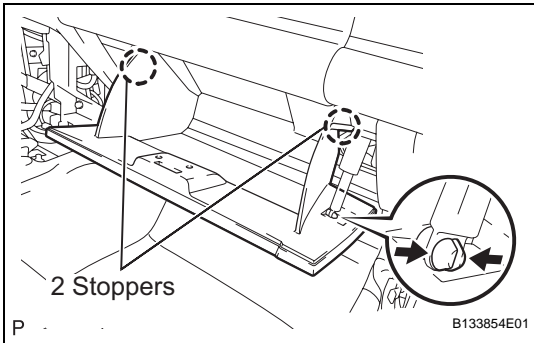


32. REMOVE COMBINATION METER ASSEMBLY

- (a) Remove the 4 screws.

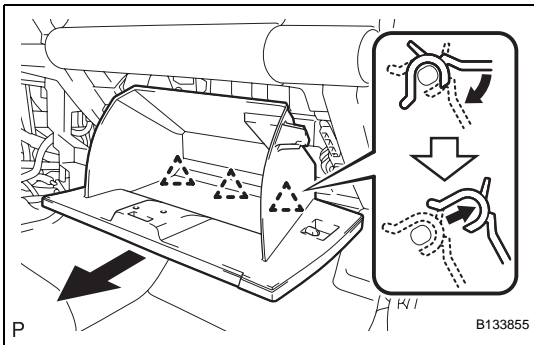


- (b) Disconnect the 2 connectors and clamp and remove the combination meter.

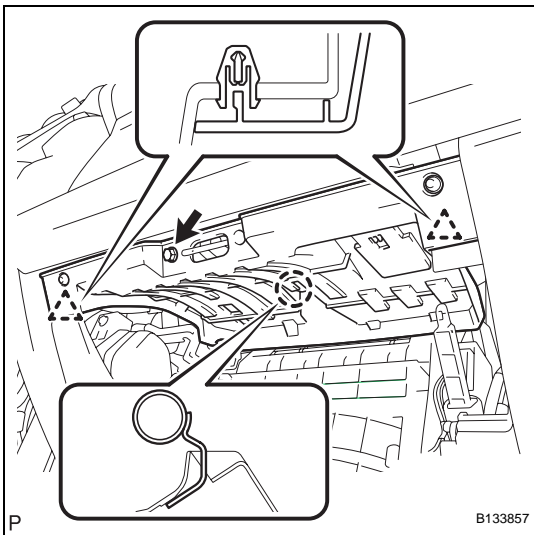


33. REMOVE GLOVE COMPARTMENT DOOR ASSEMBLY

- (a) Disengage the claw and separate the glove compartment door stoppers from the glove compartment door.
- (b) Slightly flex the upper part of the glove compartment door assembly to release the 2 stoppers and open the glove compartment door until it becomes horizontal.

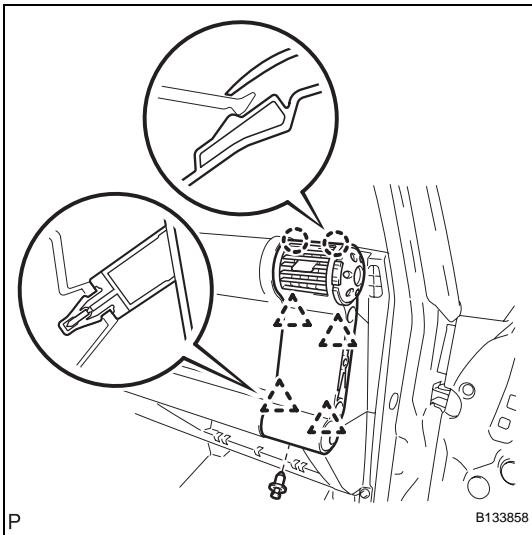


- (c) Pull the glove compartment door assembly toward the rear of the vehicle to release the 3 hinges and remove the glove compartment door assembly.



34. REMOVE INSTRUMENT PANEL LOWER FINISH PANEL SUB-ASSEMBLY RH

- (a) Remove screw <A>.
- (b) Disengage the 2 clips and claw and remove the instrument panel lower finish panel.
- (c) Separate the connectors from the instrument panel lower finish panel.

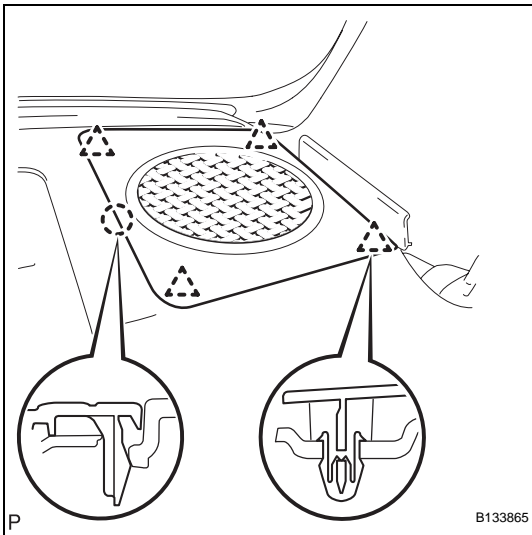


35. REMOVE NO. 2 INSTRUMENT PANEL REGISTER ASSEMBLY

- (a) Remove the clip.
- (b) Disengage the 4 clips and 2 claws and remove the instrument panel register.

NOTICE:

- To avoid breakage of the register, remove the instrument panel register with the shut damper of the register open.
- Pull the instrument panel register up diagonally to remove it.



36. REMOVE NO. 2 INSTRUMENT PANEL SPEAKER PANEL SUB-ASSEMBLY

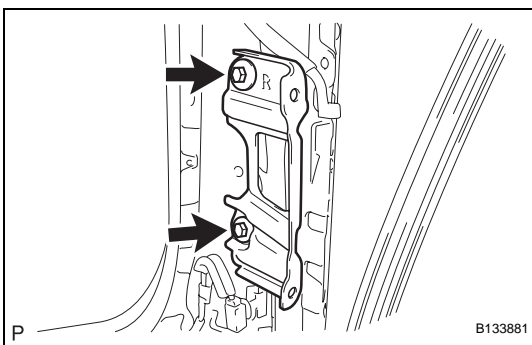
- (a) Disengage the 4 clips and claw and remove the instrument panel speaker panel.

37. REMOVE NO. 1 INSTRUMENT PANEL SPEAKER PANEL SUB-ASSEMBLY

HINT:

Use the same procedure as for the RH side.

38. REMOVE FRONT NO. 2 SPEAKER ASSEMBLY (See page [AV-62](#))



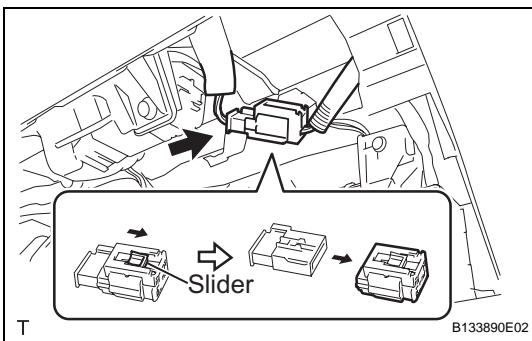
39. REMOVE ASSIST GRIP RETAINER RH

- (a) Remove the 2 bolts and remove the assist grip retainer.

40. REMOVE ASSIST GRIP RETAINER LH

HINT:

Use the same procedure as for the RH side.



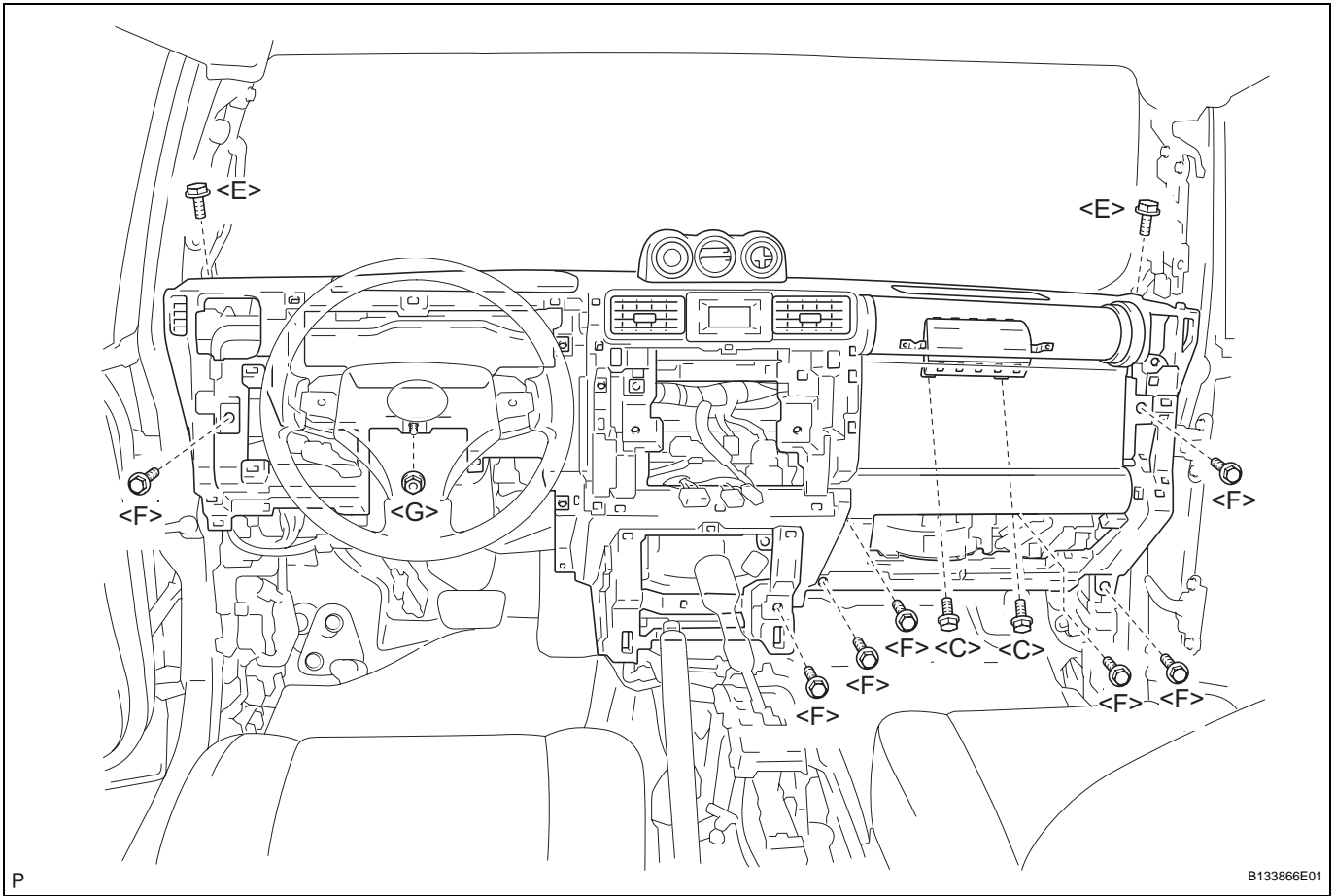
41. DISCONNECT PASSENGER AIRBAG CONNECTOR

- (a) Slide the slider and disconnect the passenger airbag connector.

42. REMOVE INSTRUMENT PANEL SUB-ASSEMBLY

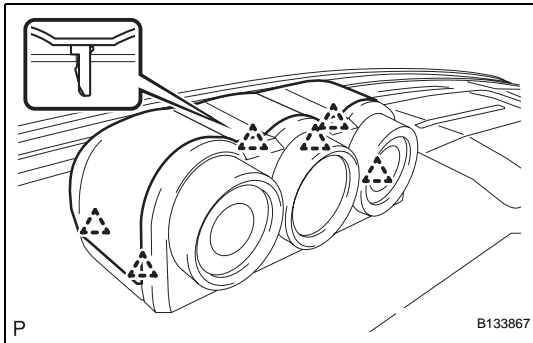
- (a) Disengage the clamps and disconnect the connectors.

- (b) Remove the 2 <C> bolts, 2 <E> bolts, 7 <F> bolts and nut <G> and remove the instrument panel.



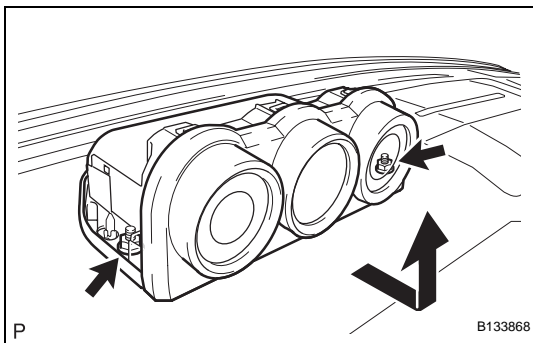
43. REMOVE METER COVER

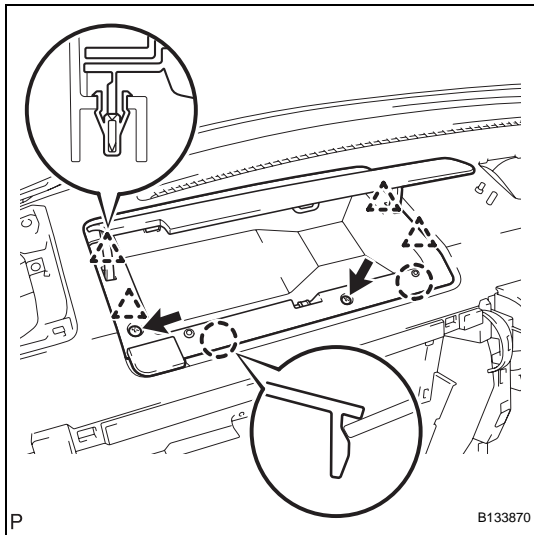
- (a) Disengage the 6 clips and remove the meter cover.



44. REMOVE ACCESSORY METER ASSEMBLY

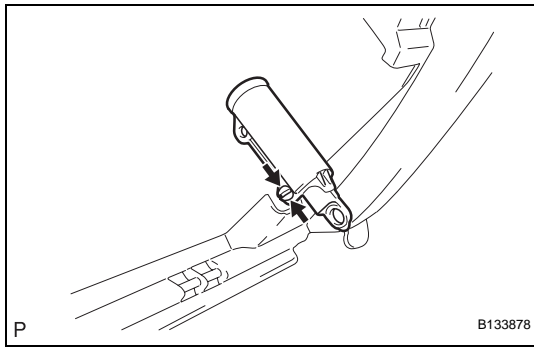
- (a) Remove the 2 nuts and remove the accessory meter.





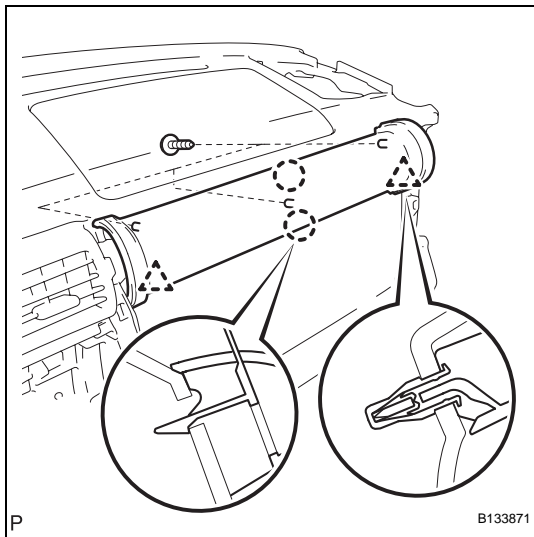
45. REMOVE NO. 2 INSTRUMENT PANEL BOX DOOR SUB-ASSEMBLY

- (a) Remove the 2 <H> screws.
- (b) Disengage the 4 clips and 2 claws and remove the instrument panel box door.



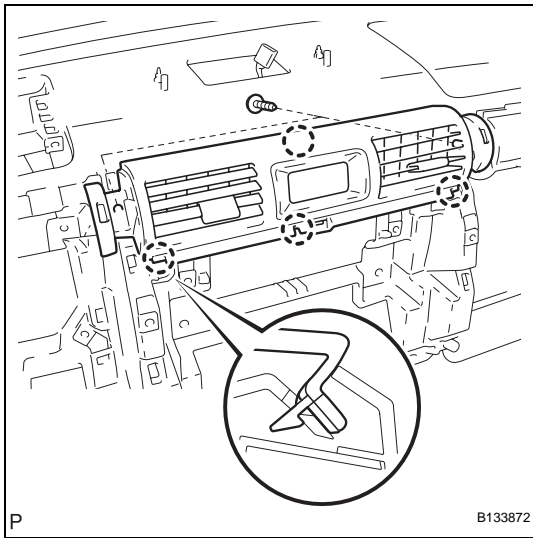
46. REMOVE GLOVE COMPARTMENT DOOR STOPPER SUB-ASSEMBLY

- (a) Disengage the claw and remove the glove compartment door stopper.



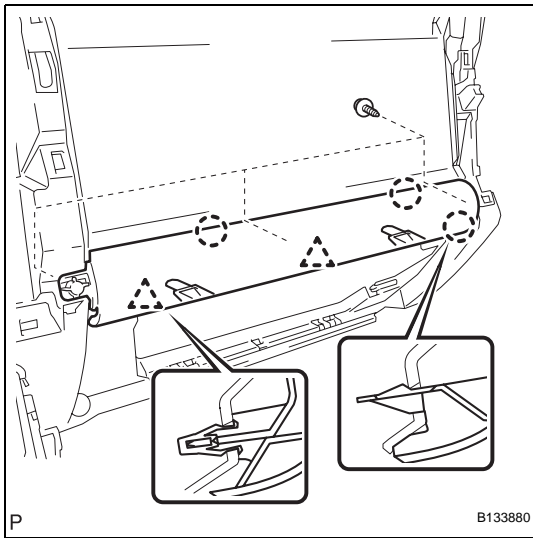
47. REMOVE INSTRUMENT CLUSTER FINISH PANEL SUB-ASSEMBLY

- (a) Remove the 3 screws.
- (b) Disengage the 2 clips and 2 claws and remove the instrument cluster finish panel.



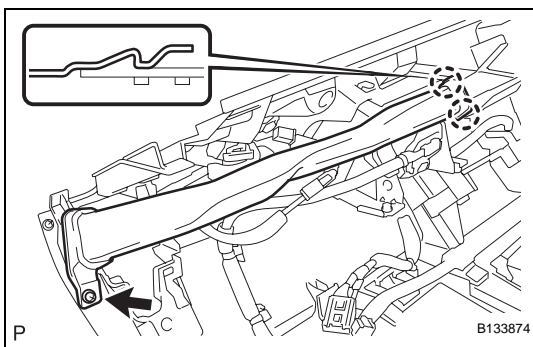
48. REMOVE INSTRUMENT CLUSTER CENTER FINISH PANEL SUB-ASSEMBLY

- (a) Remove the 2 screws.
- (b) Disengage the 4 claws and remove the instrument cluster center finish panel.



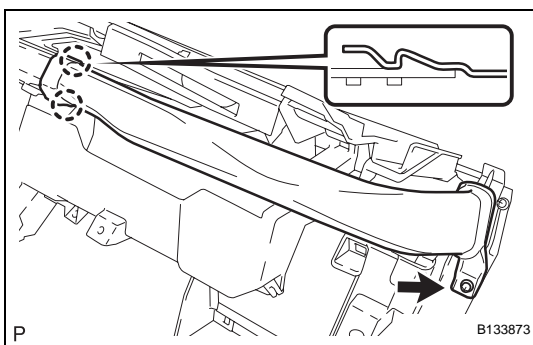
49. REMOVE INSTRUMENT CLUSTER LOWER CENTER FINISH PANEL SUB-ASSEMBLY

- (a) Remove the 3 screws.
- (b) Disengage the 2 clips and 3 claws and remove the instrument cluster lower center finish panel.



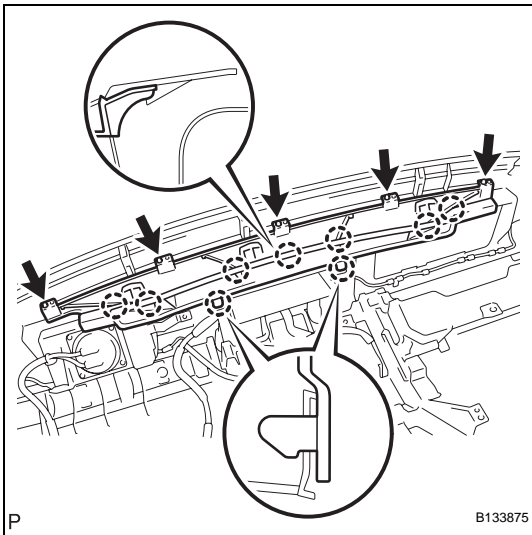
50. REMOVE NO. 1 SIDE DEFROSTER NOZZLE DUCT

- (a) Remove screw .
- (b) Disengage the 2 claws and remove the side defroster nozzle duct.



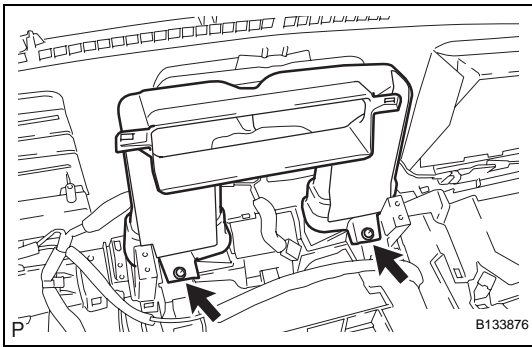
51. REMOVE NO. 2 SIDE DEFROSTER NOZZLE DUCT

- (a) Remove screw .
- (b) Disengage the 2 claws and remove the side defroster nozzle duct.



52. REMOVE DEFROSTER NOZZLE ASSEMBLY

- (a) Remove the 5 screws.
- (b) Disengage the 9 claws and remove the defroster nozzle.

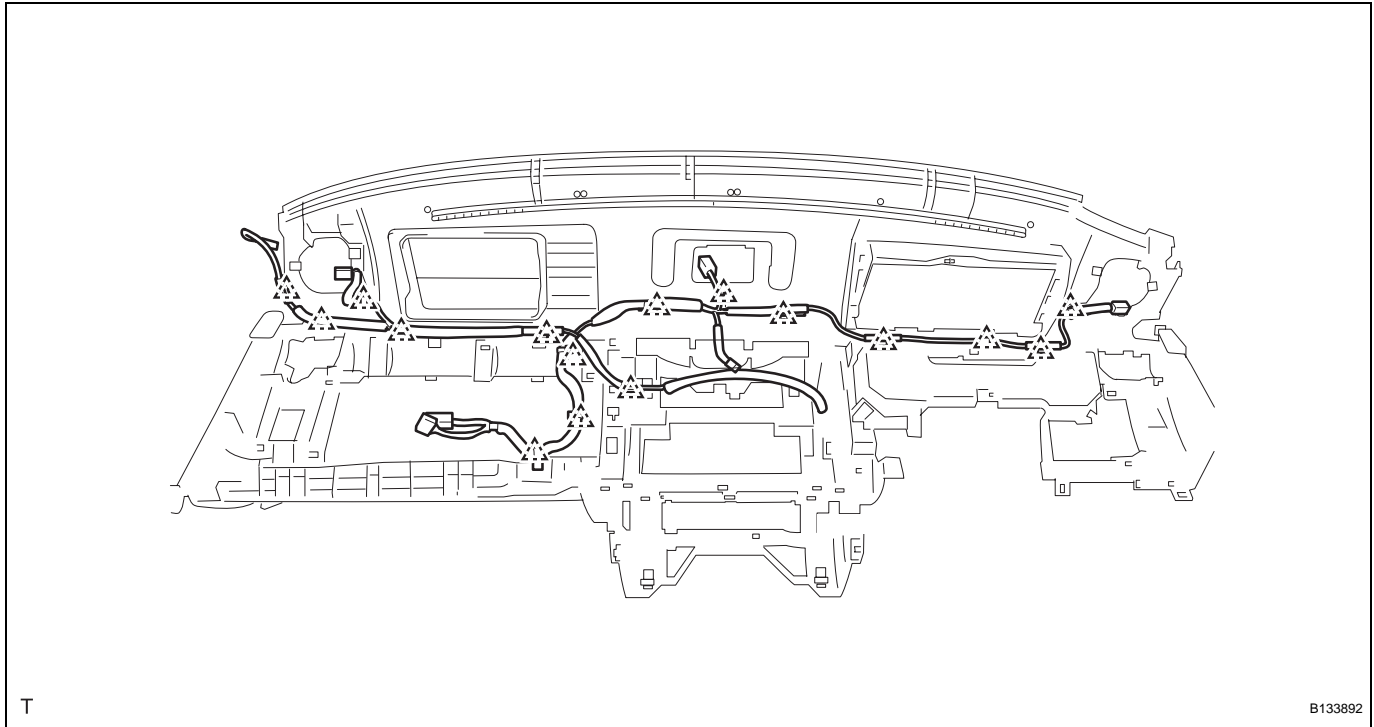


53. REMOVE NO. 3 HEATER TO REGISTER DUCT

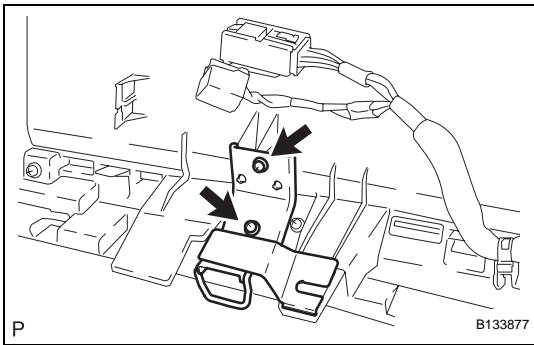
- (a) Remove the 2 screws and remove the heater to register duct.

54. REMOVE NO. 2 INSTRUMENT PANEL WIRE

- (a) Disengage the 16 clamps and remove the instrument panel wire.

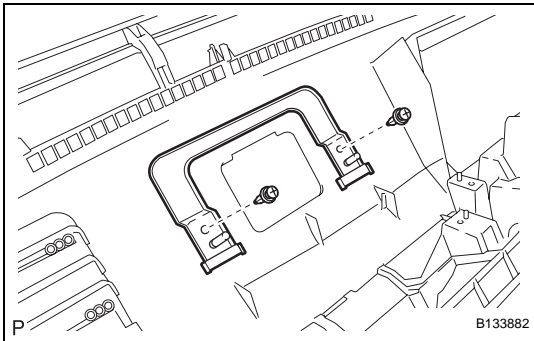


55. REMOVE FRONT PASSENGER AIRBAG ASSEMBLY
(See page [RS-363](#))



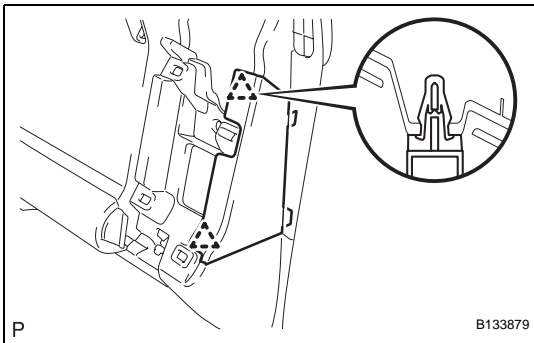
56. REMOVE INSTRUMENT PANEL CENTER BRACKET SUB-ASSEMBLY

- (a) Remove the 2 screws and remove the instrument panel center bracket.



57. REMOVE ACCESSORY METER BRACKET

- (a) Remove the 2 clips and remove the accessory meter bracket.

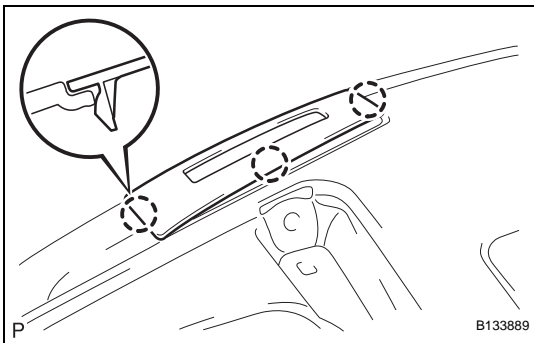


58. REMOVE LOWER INSTRUMENT PANEL SUB-ASSEMBLY RH

- (a) Disengage the 2 clips and remove the lower instrument panel.

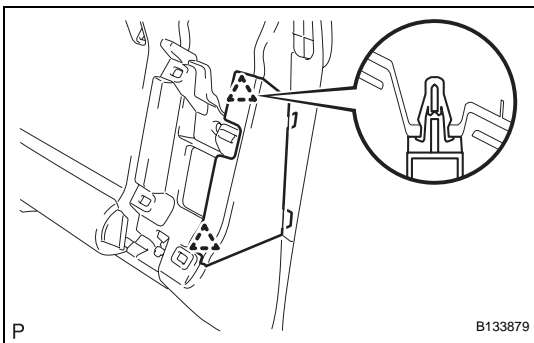
59. REMOVE LOWER INSTRUMENT PANEL SUB-ASSEMBLY LH

- HINT:
Use the same procedure as for the RH side.



60. REMOVE INSTRUMENT PANEL FINISH PANEL END LH

- (a) Disengage the 3 claws and remove the instrument panel finish panel end.



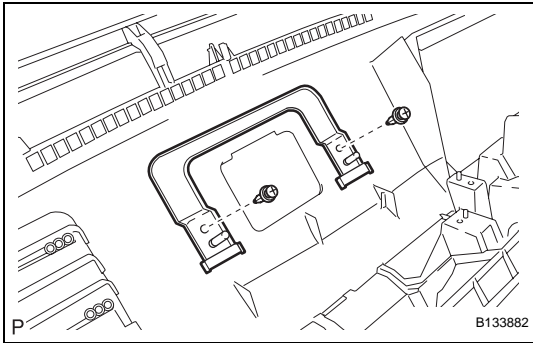
INSTALLATION

1. INSTALL LOWER INSTRUMENT PANEL SUB-ASSEMBLY RH

- (a) Engage the 2 clips and install the lower instrument panel.

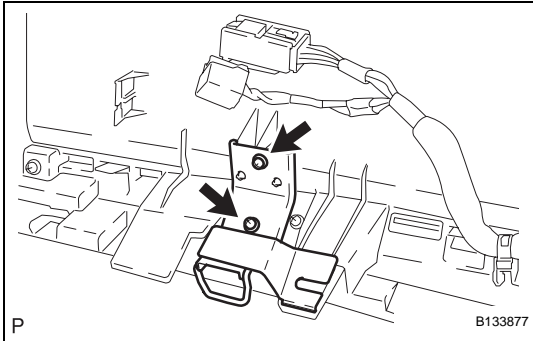
2. INSTALL LOWER INSTRUMENT PANEL SUB-ASSEMBLY LH

- HINT:
Use the same procedure as for the RH side.



3. INSTALL ACCESSORY METER BRACKET

- (a) Install the accessory meter bracket with the 2 clips.



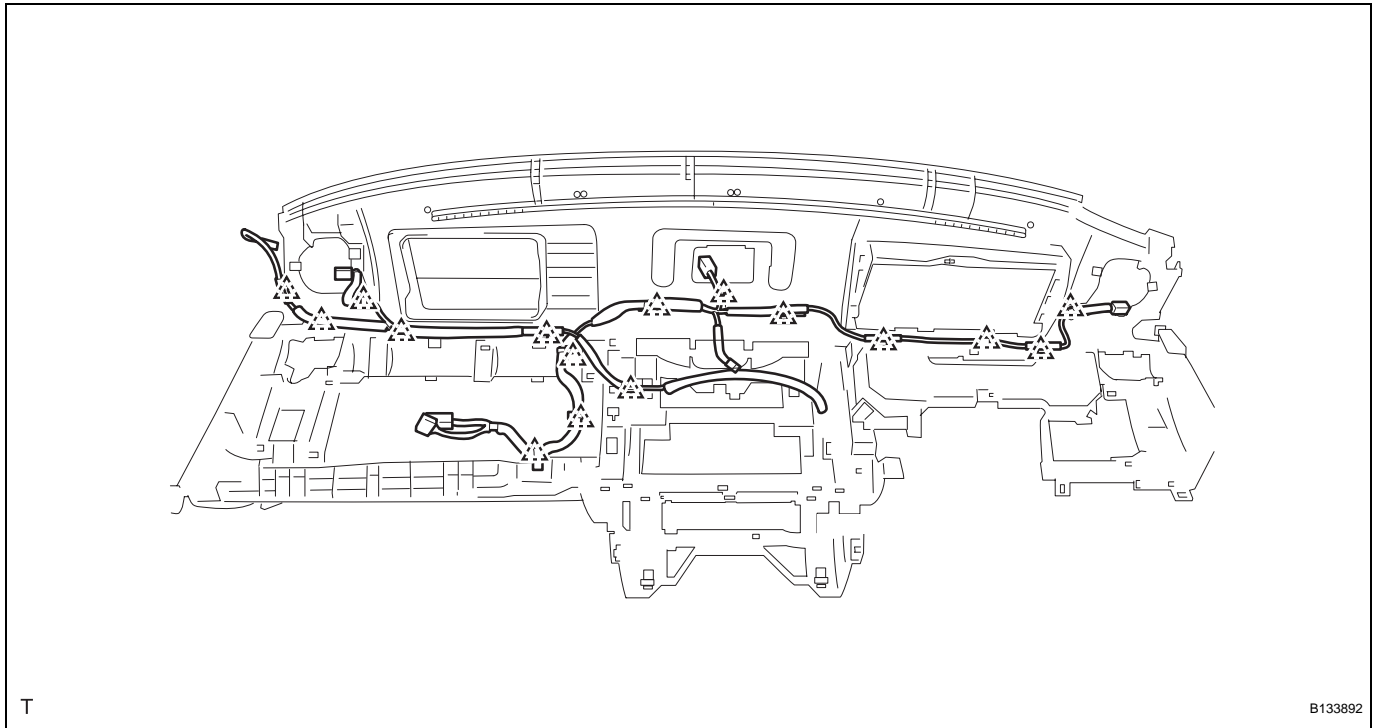
4. INSTALL INSTRUMENT PANEL CENTER BRACKET SUB-ASSEMBLY

- (a) Install the instrument panel center bracket with the 2 screws.

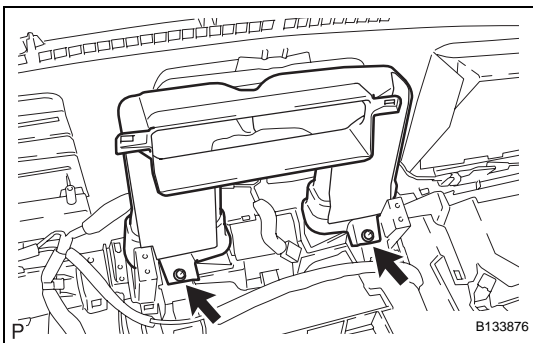
5. INSTALL FRONT PASSENGER AIRBAG ASSEMBLY (See page [RS-364](#))

6. INSTALL NO. 2 INSTRUMENT PANEL WIRE

- (a) Engage the 16 clamps and install the instrument panel wire.

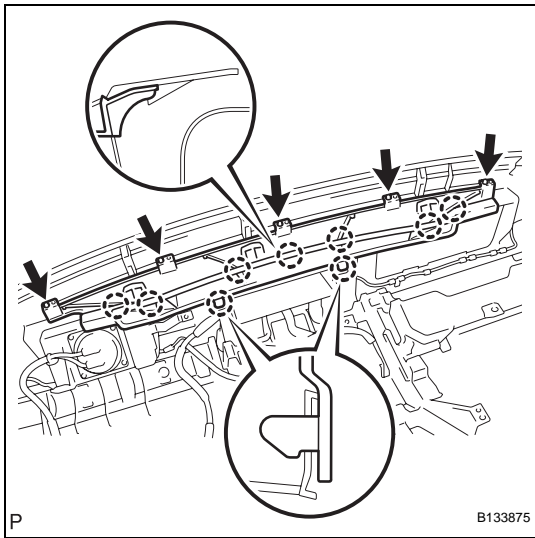


IP



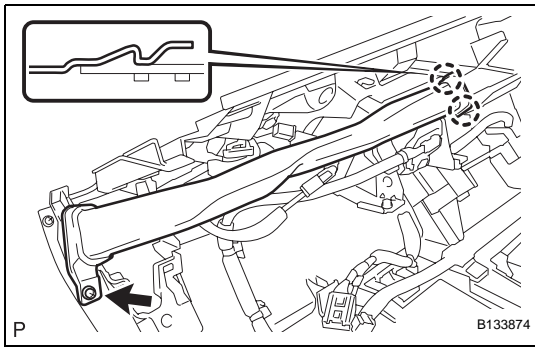
7. INSTALL NO. 3 HEATER TO REGISTER DUCT

- (a) Install the heater to register duct with the 2 screws.



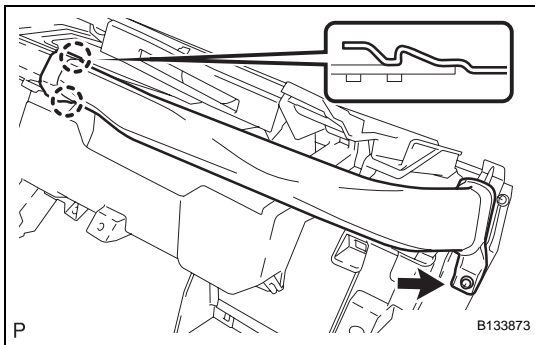
8. INSTALL DEFROSTER NOZZLE ASSEMBLY

- (a) Engage the 9 claws and install the defroster nozzle.
- (b) Install the 5 screws.



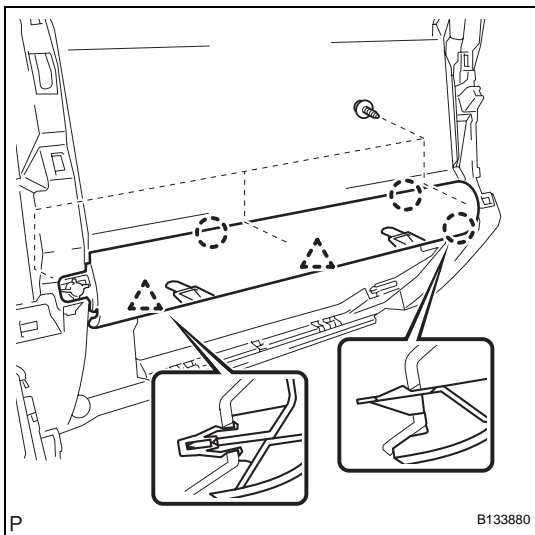
9. INSTALL NO. 1 SIDE DEFROSTER NOZZLE DUCT

- (a) Engage the 2 claws and install the side defroster nozzle duct.
- (b) Install screw .



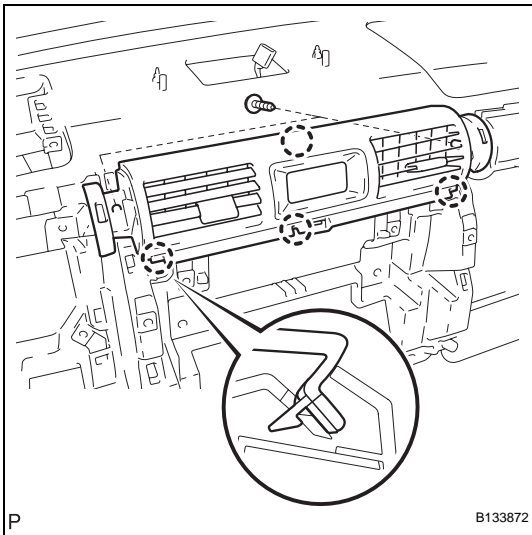
10. INSTALL NO. 2 SIDE DEFROSTER NOZZLE DUCT

- (a) Engage the 2 claws and install the side defroster nozzle duct.
- (b) Install screw .



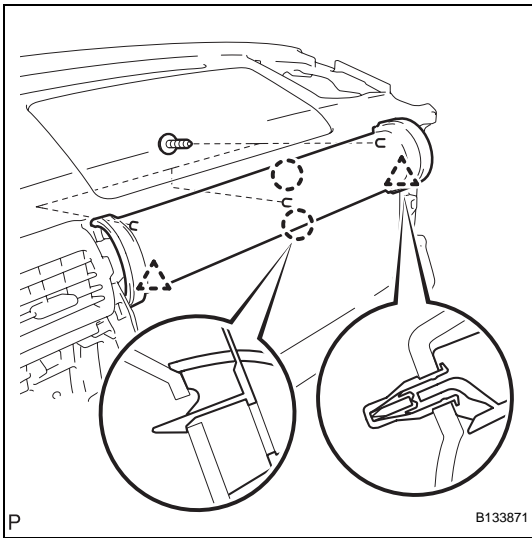
11. INSTALL INSTRUMENT CLUSTER LOWER CENTER FINISH PANEL SUB-ASSEMBLY

- (a) Engage the 2 clips and 3 claws and install the instrument cluster lower center finish panel.
- (b) Install the 3 screws.



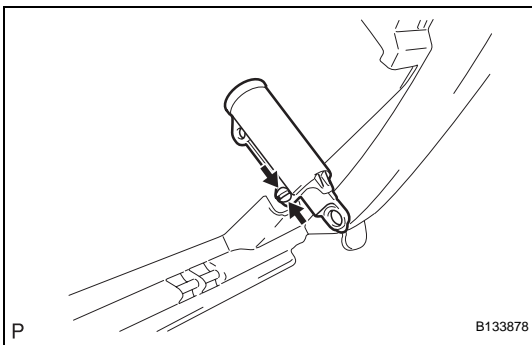
12. INSTALL INSTRUMENT CLUSTER CENTER FINISH PANEL SUB-ASSEMBLY

- (a) Engage the 4 claws and install the instrument cluster center finish panel.
- (b) Install the 2 screws.



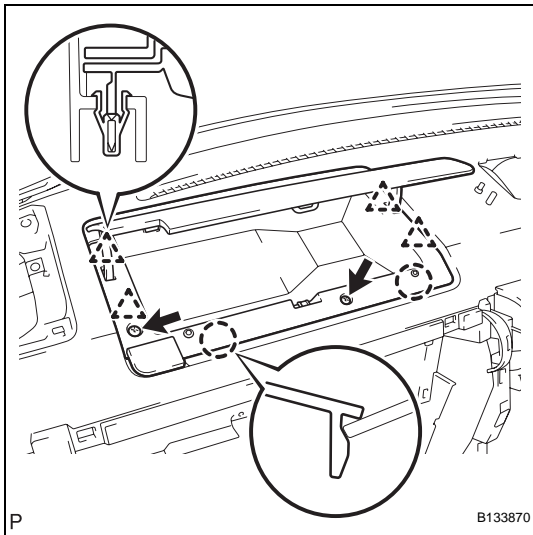
13. INSTALL INSTRUMENT CLUSTER FINISH PANEL SUB-ASSEMBLY

- (a) Engage the 2 clips and 2 claws and install the instrument cluster finish panel.
- (b) Install the 3 screws.

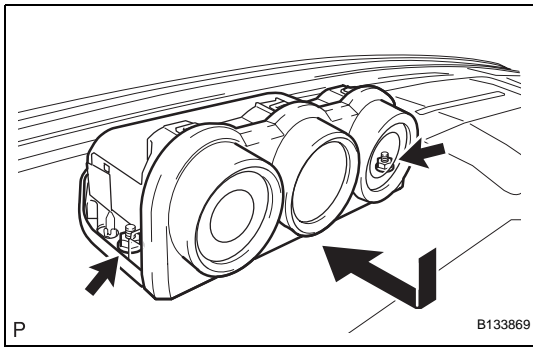


14. INSTALL GLOVE COMPARTMENT DOOR STOPPER SUB-ASSEMBLY

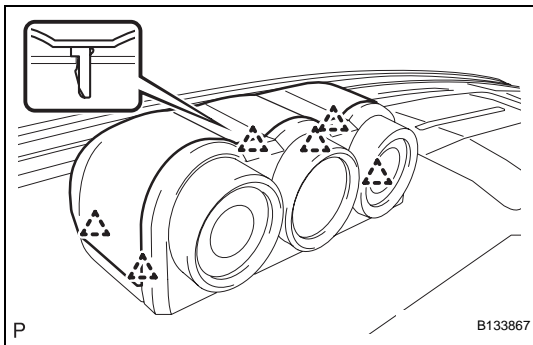
- (a) Engage the claw and install the glove compartment door stopper.

**15. INSTALL NO. 2 INSTRUMENT PANEL BOX DOOR SUB-ASSEMBLY**

- (a) Engage the 4 clips and 2 claws and install the instrument panel box door.
- (b) Install the 2 <H> screws.

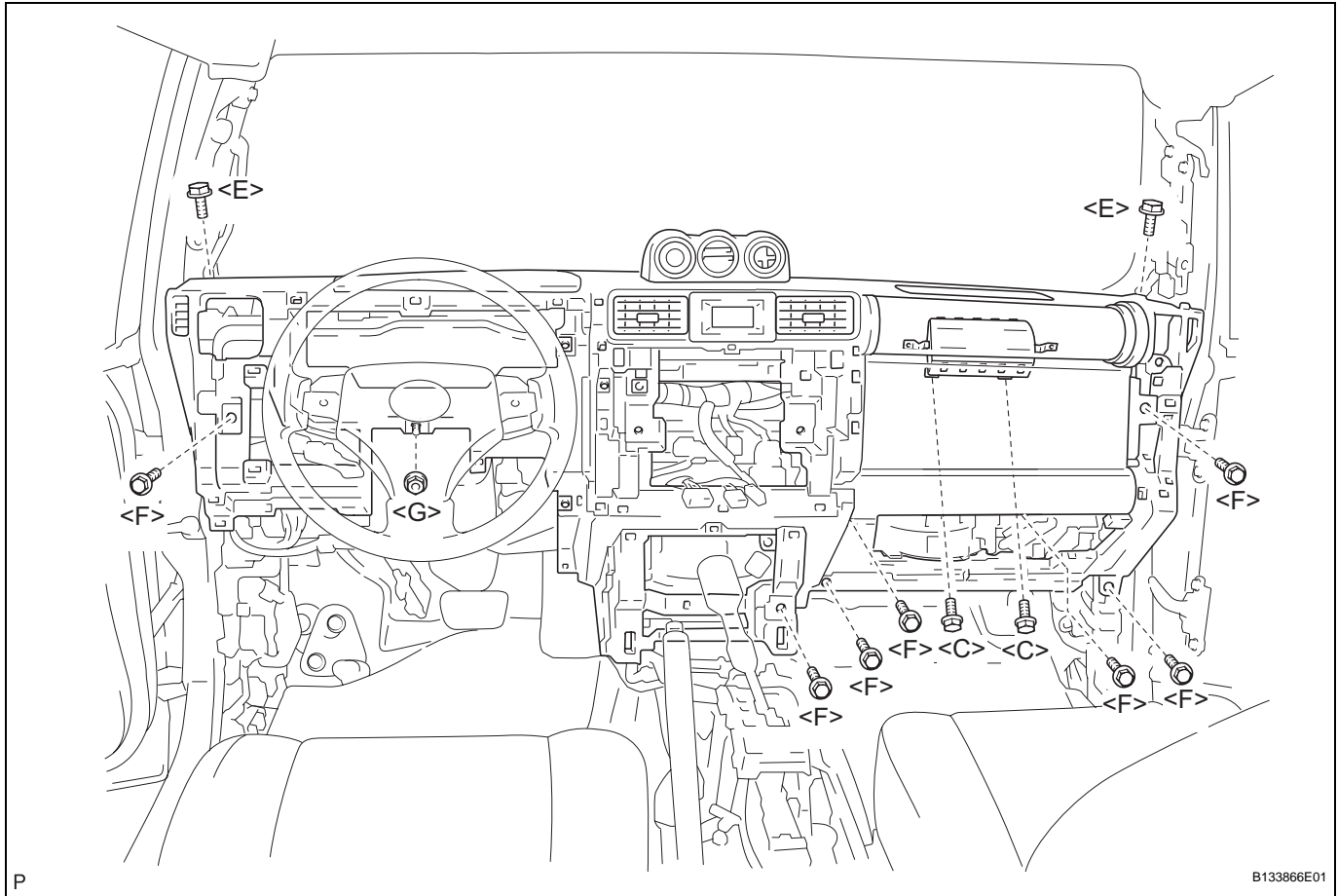
**16. INSTALL ACCESSORY METER ASSEMBLY**

- (a) Install the accessory meter with the 2 nuts.

**17. INSTALL METER COVER**

- (a) Engage the 6 clips and install the meter cover.

18. INSTALL INSTRUMENT PANEL SUB-ASSEMBLY

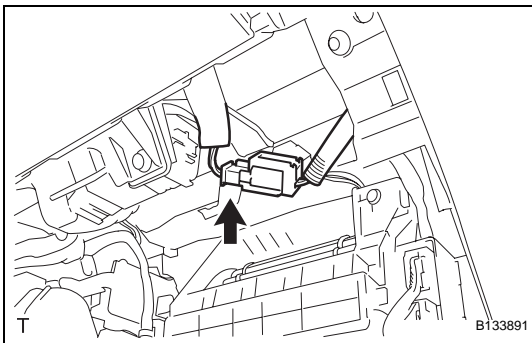


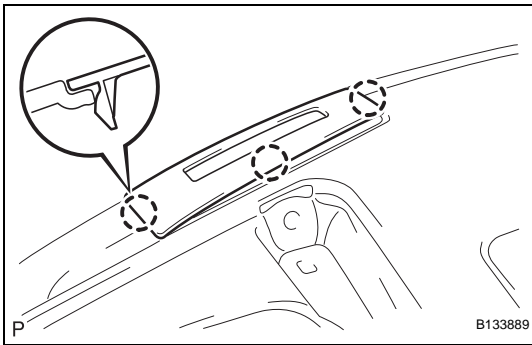
- (a) Install the lower instrument panel with the 2 <C> bolts, 2 <E> bolts, 7 <F> bolts and nut <G>.
Torque: 20 N*m (205 kgf*cm, 15 ft.*lbf) for bolt <C>

- (b) Engage the clamps and connect the connectors.

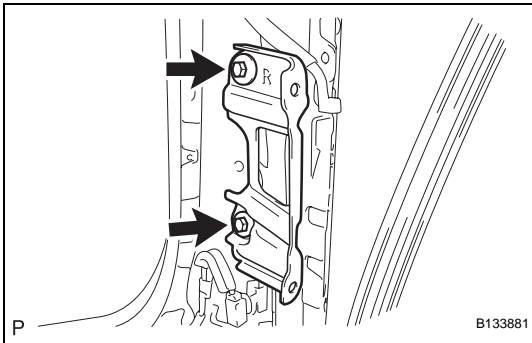
19. CONNECT PASSENGER AIRBAG CONNECTOR

- (a) Connect the passenger airbag connector.





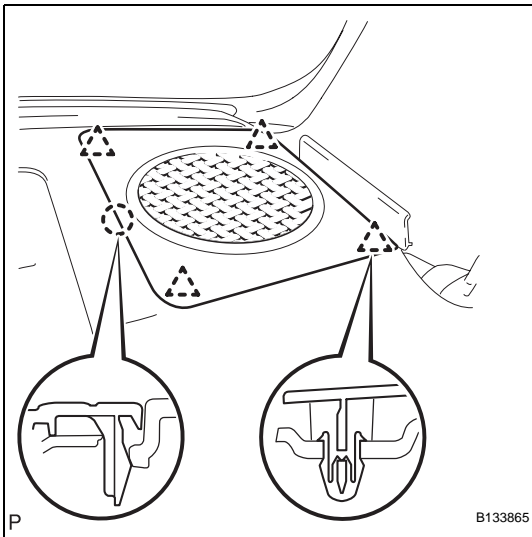
- 20. INSTALL INSTRUMENT PANEL FINISH PANEL END LH**
 (a) Engage the 3 claws and install the instrument panel finish panel end.



- 21. INSTALL ASSIST GRIP RETAINER RH**
 (a) Install the assist grip retainer with the 2 bolts.
Torque: 29 N*m (296 kgf*cm, 21 ft.*lbf)

- 22. INSTALL ASSIST GRIP RETAINER LH**
HINT:
 Use the same procedure as for the RH side.

- 23. INSTALL FRONT NO. 2 SPEAKER ASSEMBLY (See page AV-62)**

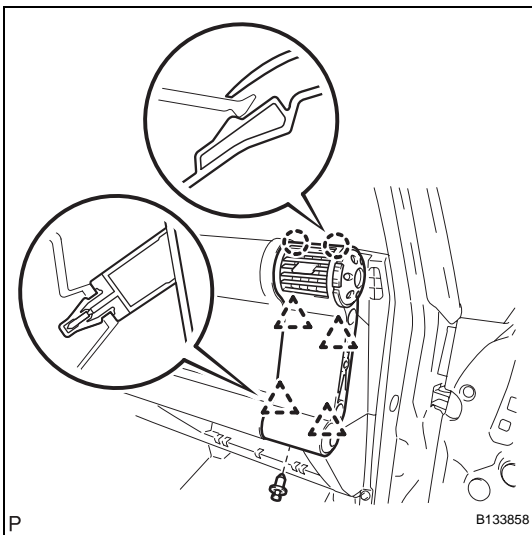


- 24. INSTALL NO. 2 INSTRUMENT PANEL SPEAKER PANEL SUB-ASSEMBLY**

- (a) Engage the 4 clips and claw and install the instrument panel speaker panel.

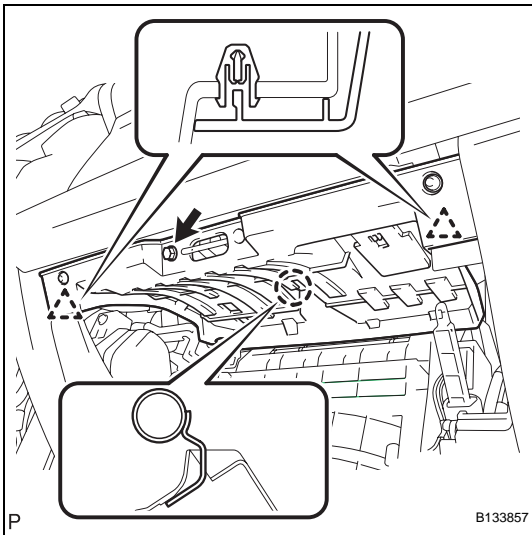
- 25. INSTALL NO. 1 INSTRUMENT PANEL SPEAKER PANEL SUB-ASSEMBLY**

- HINT:**
 Use the same procedure as for the RH side.



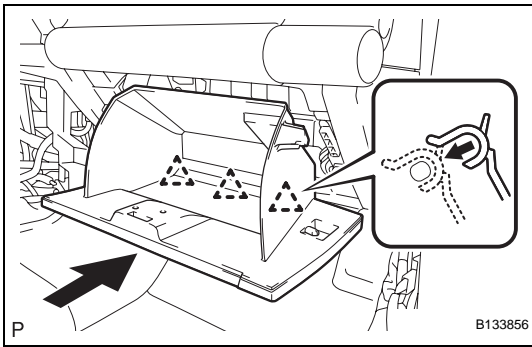
- 26. INSTALL NO. 2 INSTRUMENT PANEL REGISTER ASSEMBLY**

- (a) Engage the 4 clips and 2 claws and install the instrument panel register.
 (b) Install the clip.



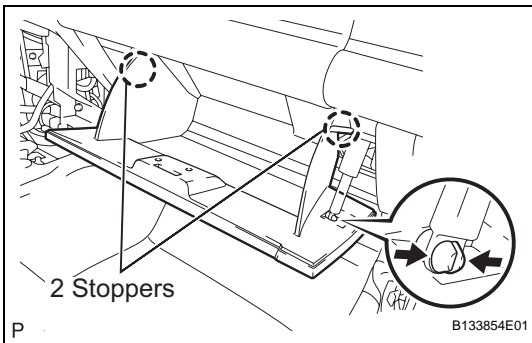
27. INSTALL INSTRUMENT PANEL LOWER FINISH PANEL SUB-ASSEMBLY RH

- (a) Install the connectors to the instrument panel lower finish panel.
- (b) Engage the claw and 2 clips and install the instrument panel lower finish panel.
- (c) Install screw <A>.



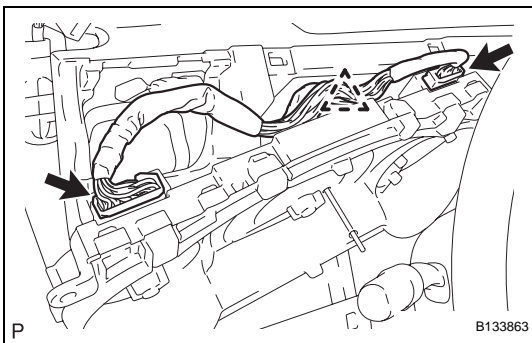
28. INSTALL GLOVE COMPARTMENT DOOR ASSEMBLY

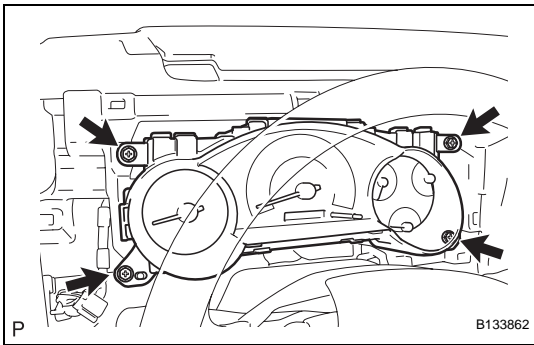
- (a) Install the glove compartment door assembly with the 3 hinges while holding it horizontal.
- (b) Slightly flex the upper part of the glove compartment door assembly, and install the glove compartment door assembly.
- (c) Install the glove compartment door stoppers onto the glove compartment door.



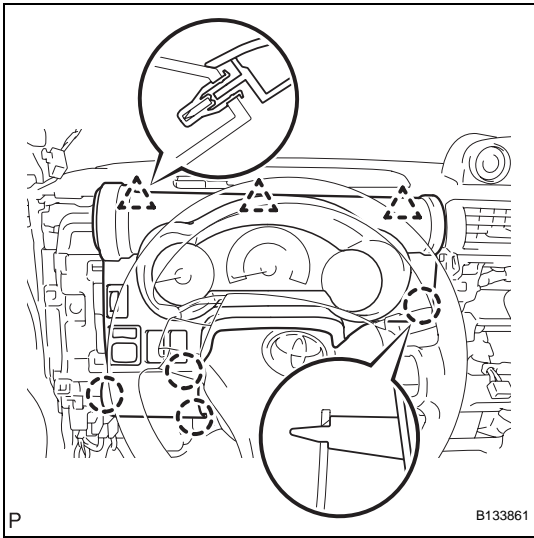
29. INSTALL COMBINATION METER ASSEMBLY

- (a) Connect the 2 connectors and the clamp.



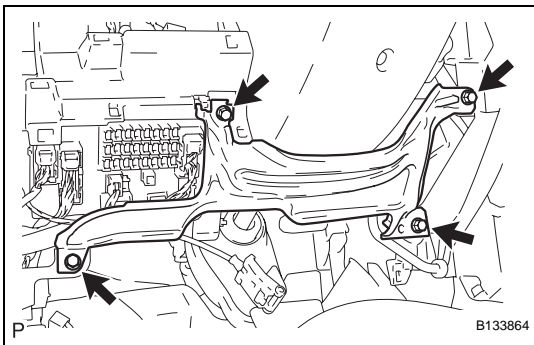


- (b) Install the combination meter assembly with the 4 screws.
Torque: 7.0 N*m (71 kgf*cm, 62 in.*lbf)



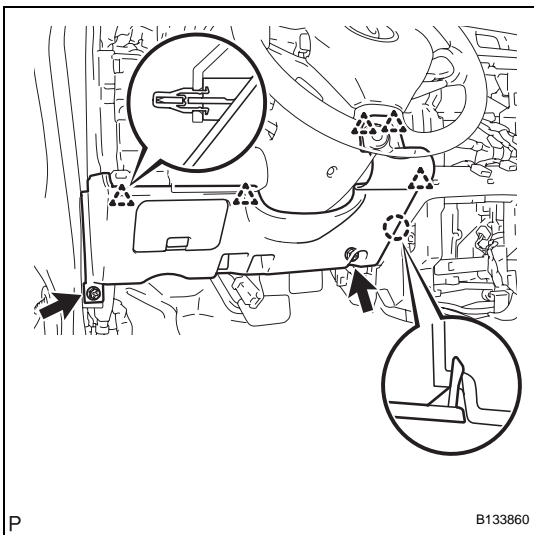
30. INSTALL INSTRUMENT CLUSTER LOWER FINISH PANEL

- (a) Connect the connectors.
 (b) Engage the 3 clips and 4 claws and install the instrument cluster lower finish panel.



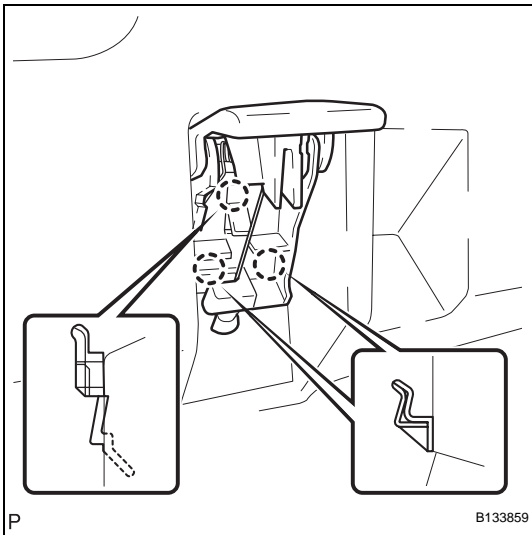
31. INSTALL LOWER INSTRUMENT PANEL LH

- (a) Install the lower instrument panel with the 4 <F> bolts.



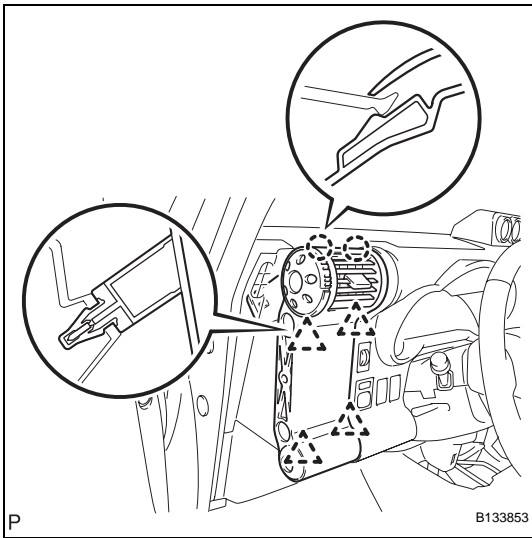
32. INSTALL LOWER INSTRUMENT PANEL FINISH PANEL SUB-ASSEMBLY LH

- (a) Engage the 5 clips and claw and install the lower instrument panel finish panel.
 (b) Install the 2 <F> bolts.



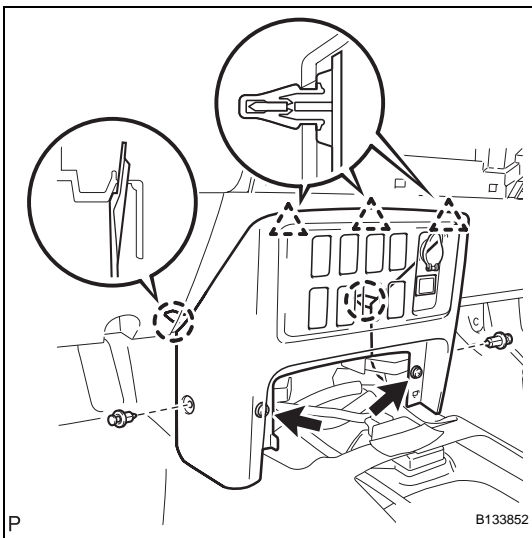
33. CONNECT HOOD LOCK CONTROL LEVER SUB-ASSEMBLY

- (a) Engage the 3 claws and install the hood lock control lever.



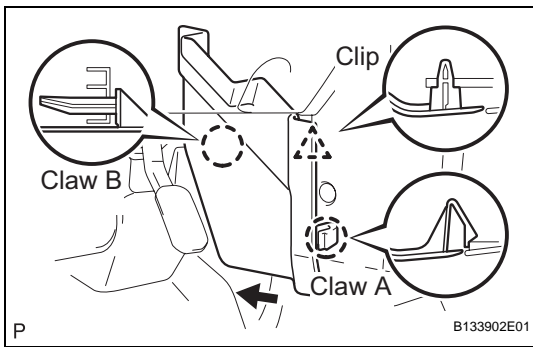
34. INSTALL NO. 1 INSTRUMENT PANEL REGISTER ASSEMBLY

- (a) Engage the 4 clips and 2 claws and install the instrument panel register.

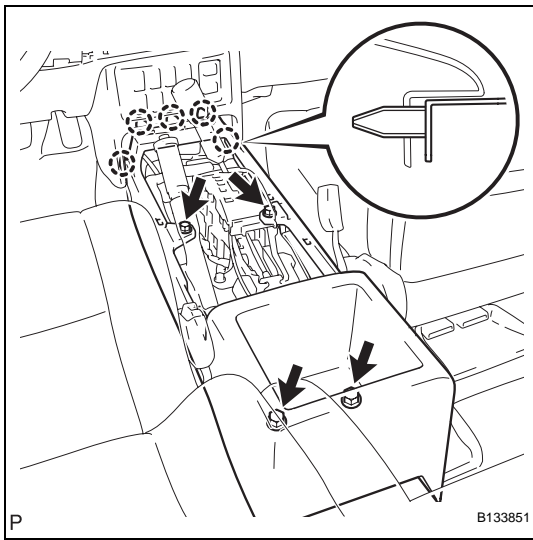


35. INSTALL INSTRUMENT LOWER COVER SUB-ASSEMBLY

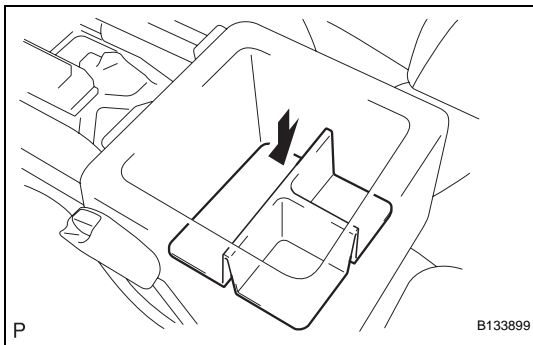
- (a) Engage the 3 clips and 2 claws and install the instrument lower cover.
 (b) Install the 2 <F> bolts and 2 clips.

**36. INSTALL CONSOLE UPPER PANEL NO. 1 GARNISH**

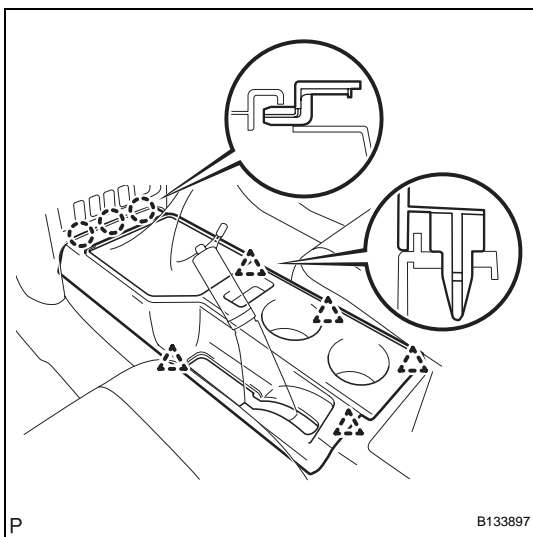
- (a) Slide the console upper panel garnish toward the front of the vehicle and engage claw B.
- (b) Engage the claw and clip and install the console upper panel garnish.

**37. INSTALL FRONT CONSOLE BOX**

- (a) Engage the 5 claws and install the front console box.
- (b) Install the 4 <D> screws.

**38. INSTALL BOX BOTTOM MAT**

- (a) Install the box bottom mat.

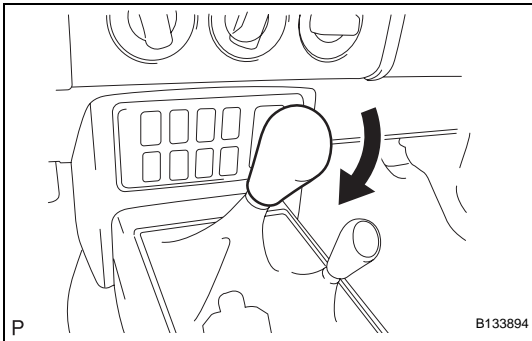
**39. INSTALL CONSOLE UPPER REAR PANEL SUB-ASSEMBLY**

- (a) Engage the 3 claws and 5 clips and install the console upper rear panel.



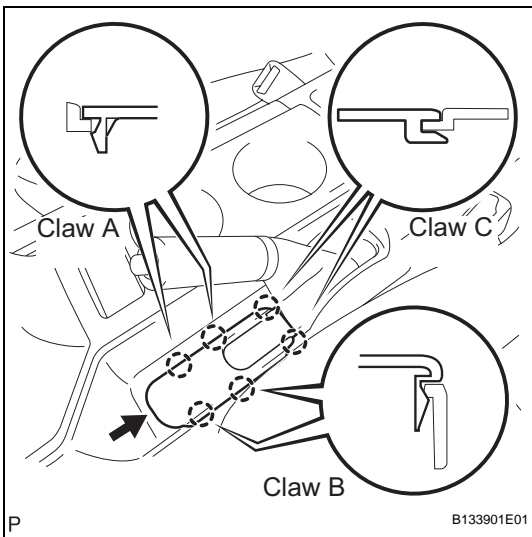
40. INSTALL SHIFT LEVER KNOB SUB-ASSEMBLY (for 4WD)

- (a) Install the shift lever knob.



41. INSTALL SHIFT LEVER KNOB SUB-ASSEMBLY (for Manual Transmission)

- (a) Install the shift lever knob.

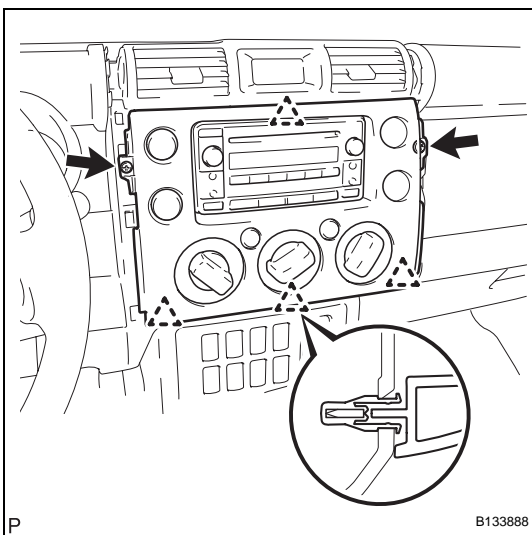


42. INSTALL PARKING BRAKE HOLE COVER SUB-ASSEMBLY

- (a) Slide the parking brake hole cover toward the rear of the vehicle and engage the 2 C claws.
 (b) Engage the 4 claws and install the parking brake hole cover.

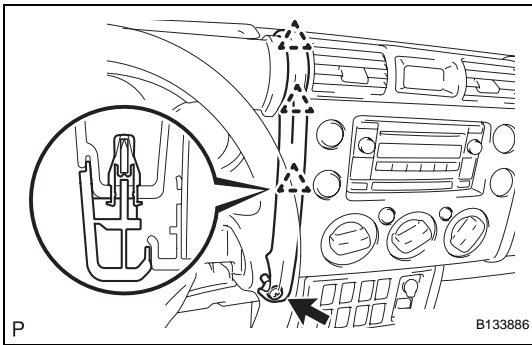
43. INSTALL RADIO RECEIVER ASSEMBLY (See page [AV-56](#))

IP

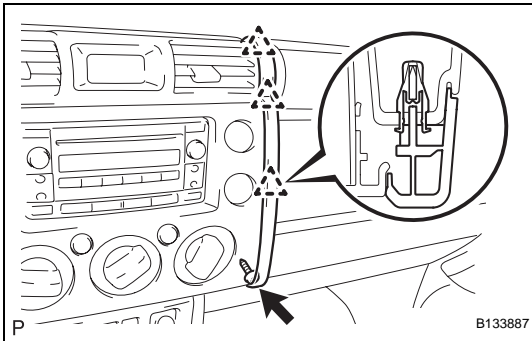


44. INSTALL INTEGRATION CONTROL AND PANEL ASSEMBLY

- (a) Connect the 3 connectors.
 (b) Engage the 4 clips and install the integration control panel assembly.
 (c) Install the 2 <H> screws.

**45. INSTALL INSTRUMENT PANEL GARNISH LH**

- (a) Engage the 3 clips and install the instrument panel garnish.
- (b) Install 2 <H> screws.

**46. INSTALL INSTRUMENT PANEL GARNISH RH**

- (a) Engage the 3 clips and install the instrument panel garnish.
- (b) Install screw <H>.

47. INSTALL FRONT PILLAR GARNISH RH (See page IR-43)**48. INSTALL FRONT PILLAR GARNISH LH (See page IR-43)****49. INSTALL ASSIST GRIP ASSEMBLY (See page IR-43)****50. INSTALL ASSIST GRIP PLUG (See page IR-44)****51. INSTALL FRONT DOOR OPENING TRIM WEATHERSTRIP LH**

- (a) Install the front door opening trim weatherstrip.

52. INSTALL FRONT DOOR OPENING TRIM WEATHERSTRIP RH

- (a) Install the front door opening trim weatherstrip.

53. INSTALL COWL SIDE TRIM BOARD RH (See page IR-45)**54. INSTALL COWL SIDE TRIM BOARD LH (See page IR-45)****55. INSTALL FOOTREST CLIP (See page IR-2)****56. INSTALL FRONT FLOOR FOOTREST (See page IR-2)****57. INSTALL FRONT DOOR SCUFF PLATE RH (See page IR-45)****58. INSTALL FRONT DOOR SCUFF PLATE LH (See page IR-45)****59. CONNECT CABLE TO NEGATIVE BATTERY TERMINAL**

Torque: 3.9 N*m (40 kgf*cm, 35 in.*lbf)

60. INSPECT SRS WARNING LIGHT

(See page RS-29)